

1. Plug the photosensor cable to the back of the gate opener, behind the circuit board. Figure 1
2. Press the reset button on the gate operator control board.
3. Mount the photo eye on the stationary part of your gate or a post next to your gate, about 23" inches from the ground.
4. Press the orange button on the photo eye to turn on the infrared beam.
5. Mount the reflector to the opposite side. Make sure the infrared beam hits inside the circle of the reflector. Figure 2

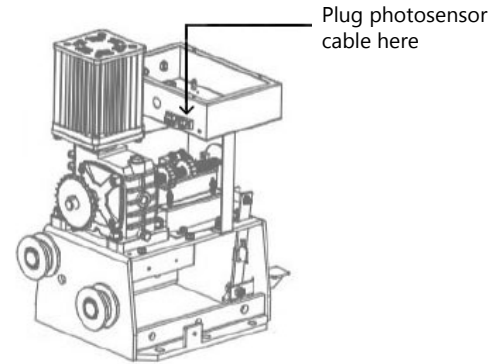


Figure 1

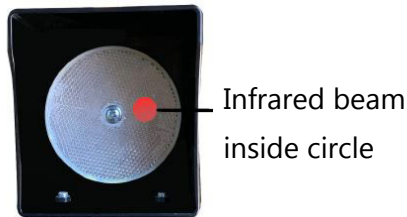
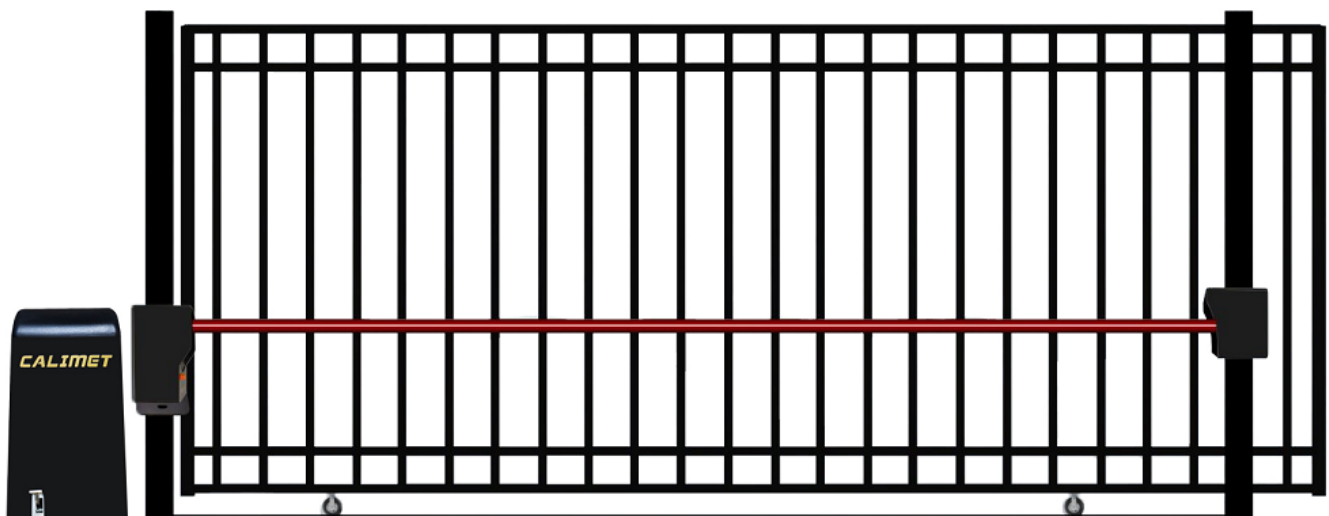


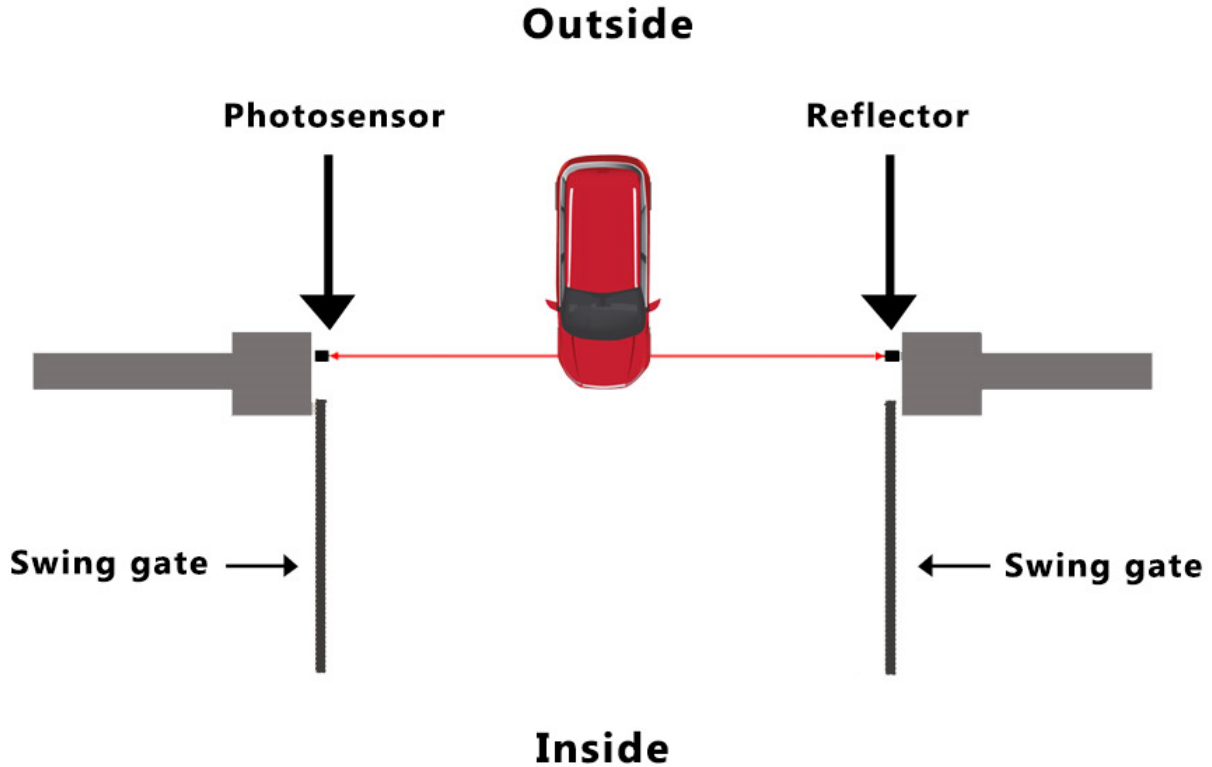
Figure 2

6. Press the orange button on the photosensor to turn off the infrared beam. Finished.



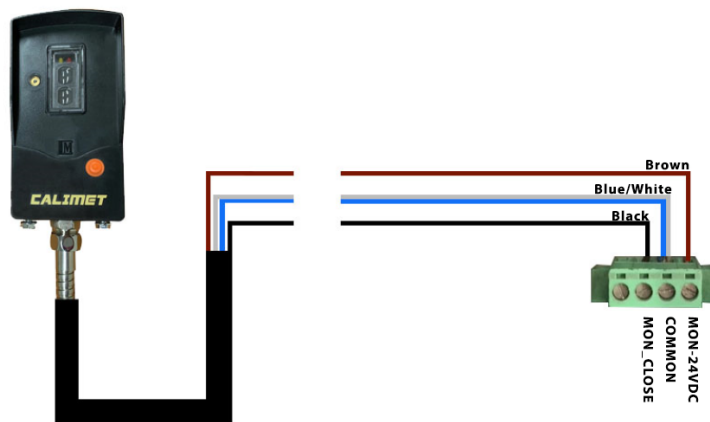
Swing Gates

For single or double swing gates, install the photosensor outside.



(OPTIONAL) Extending the Photosensor Wire Length

If the photosensor needs to be placed further away from the gate opener and the wire isn't long enough to get it to the position you want, you can purchase wires to extend the length. Simply join(splice) the wires together and connect them to the gate opener outlet.



Youtube

Youtube video with more details on how to install the photosensor: https://youtu.be/F7NpB9W_OMY

(OPTIONAL) Photosensor Wiring

Differnet model photosensors contain 3 or 4 wires.

4 Wires:

Brown > MON_24VDC

Blue and White > COMMON

Black > MON_CLOSE

3 Wires:

Brown > MON_24VDC

Blue > COMMON

Gray > MON_CLOSE